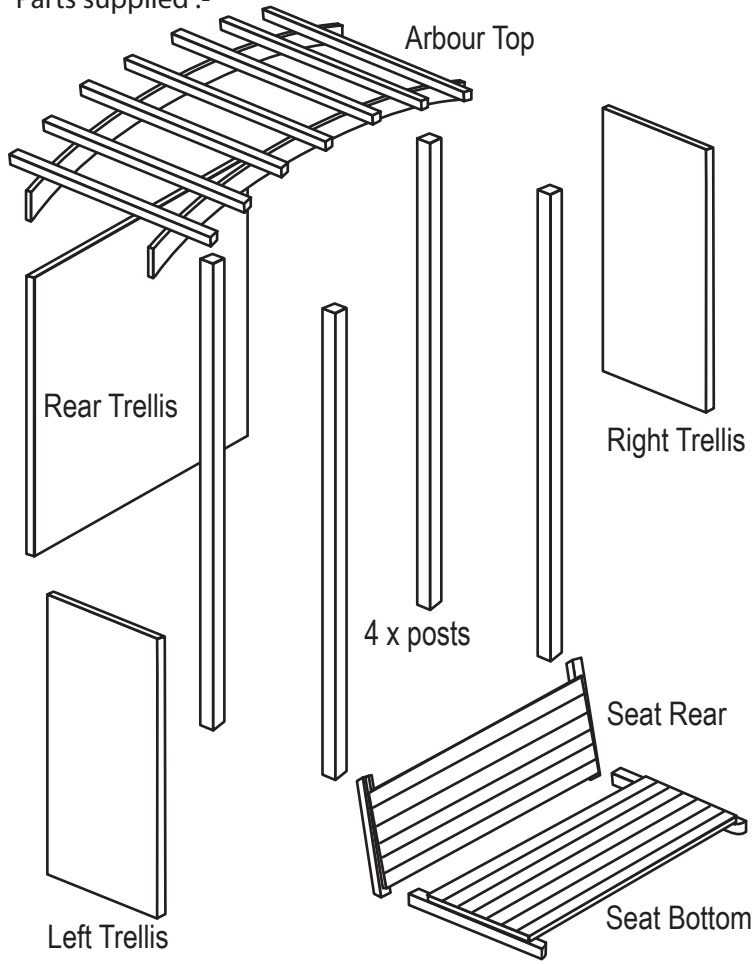





Parts supplied :-






Fixings included :-

The fixings supplied vary depending on which trellis option you have chosen for your Tate Fencing arbour seat :-




———— English Rose trellis option comes with ————

To fix trellis	18no		4 x 50mm
To fix roof	4no		5 x 100mm
To fix seat	8no		5 x 100mm

———— Square trellis option comes with ————

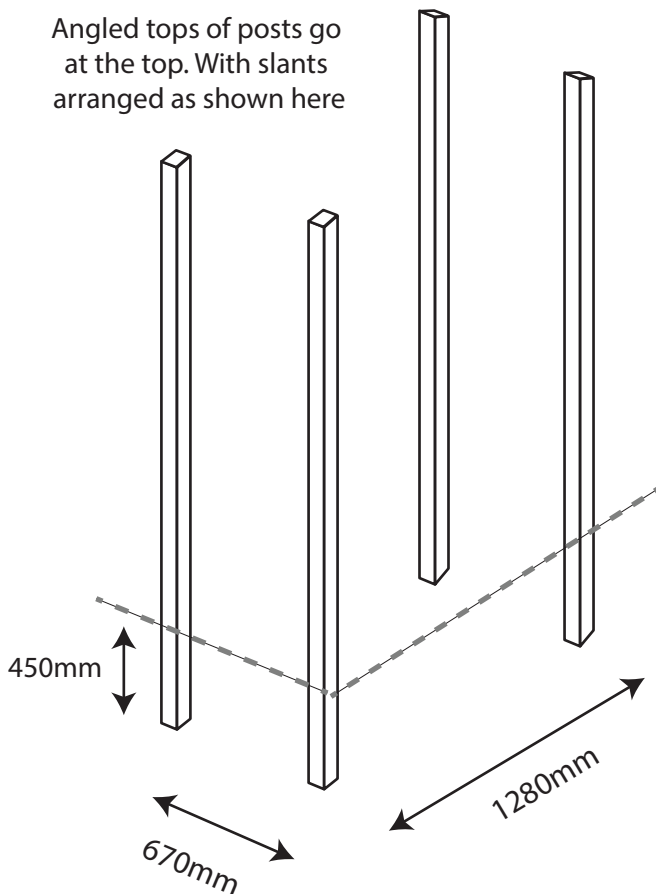
To fix trellis	18no		4 x 75mm
To fix roof	4no		5 x 100mm
To fix seat	8no		5 x 100mm


———— Heavy diamond trellis option comes with ————

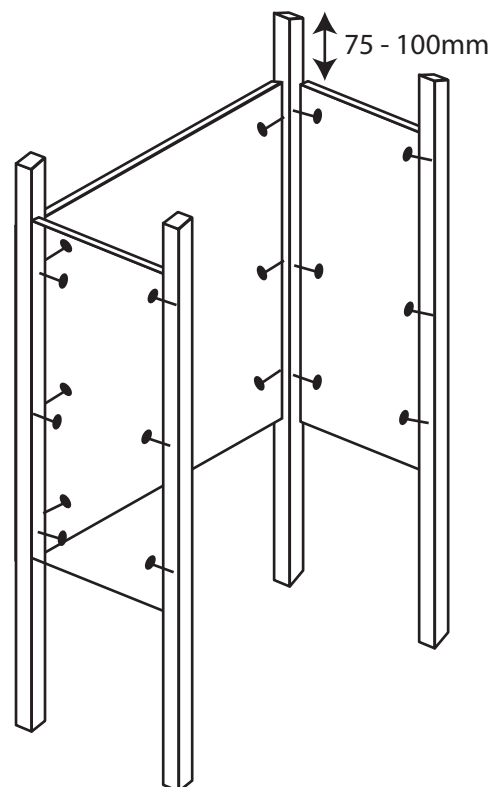
To fix trellis	18no		4 x 75mm
To fix roof	4no		5 x 100mm
To fix seat	8no		5 x 100mm

1) Post are to be dug into ground approx 450mm deep, at approx 670mm x 1280mm centres

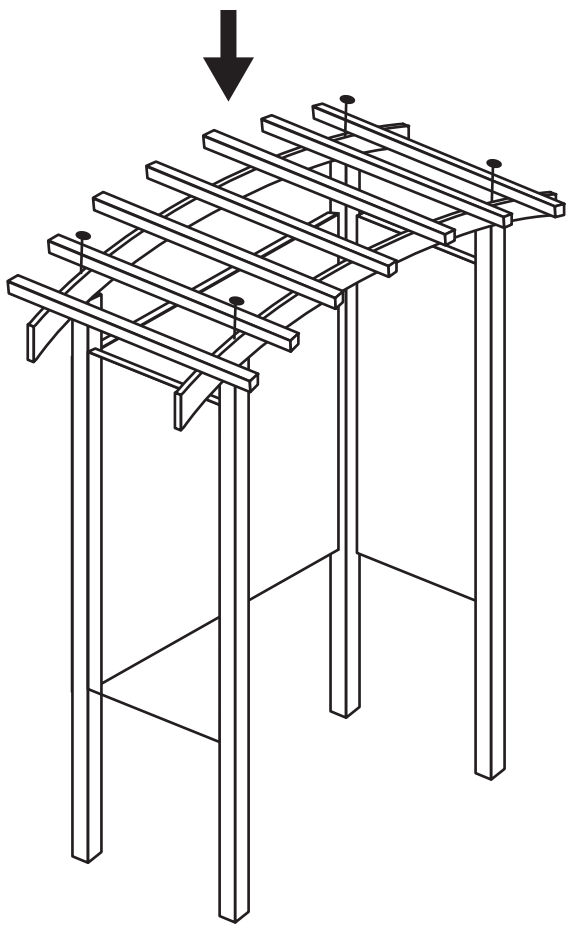
Angled tops of posts go at the top. With slants arranged as shown here




2) Fix trellis between posts approx 75 -100 mm down from top of posts using either 50mm screws if you have English Rose trellis or 75mm screws if you have Square or Heavy Diamond trellis. Fix where indicated with a  symbol

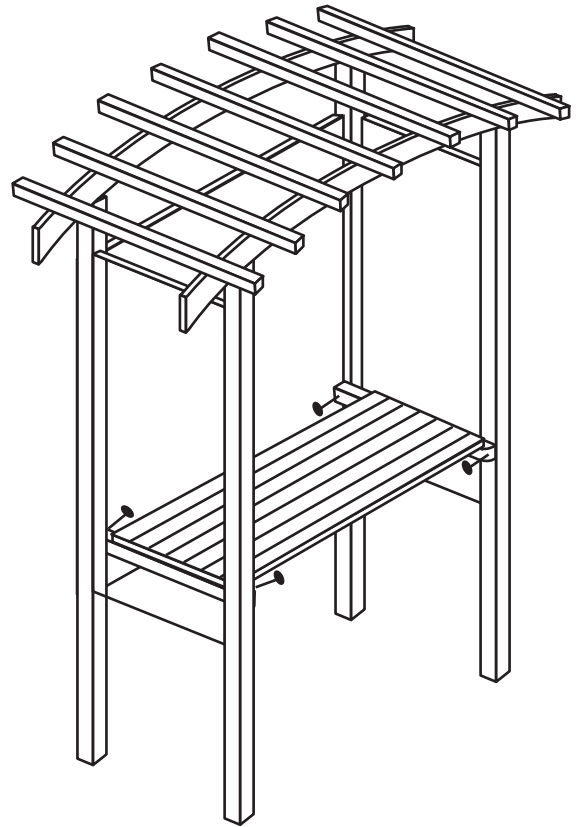



3)



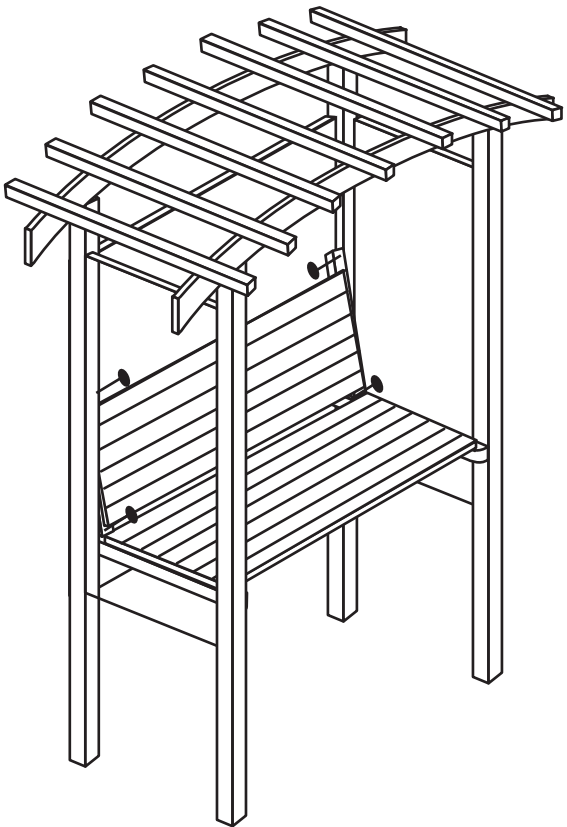
The arbour seat top comes already constructed it is put in place on top of the posts and fixed in using 100mm screws down through the top into the top of the posts where indicated with a  symbol


4)



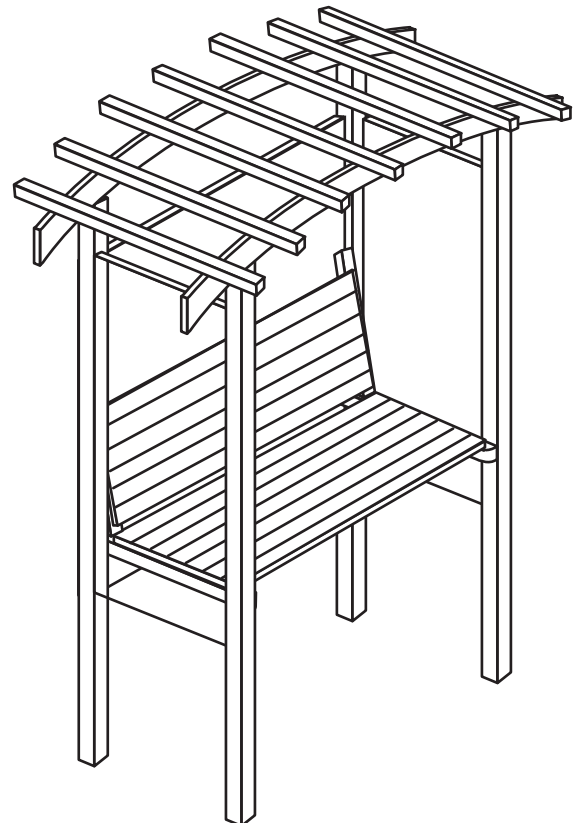
Fix the seat bottom in between posts at desired sitting height. Face fix using 100mm screws where indicated with a  symbol. Screw from inside the arbour seat through the frame in to the posts.

5)



The back seat rests on top of the frame of the bottom seat. It leans backwards at an angle and the top of the seat frame fits in between the rear posts. It is fixed into place with 100mm screws where indicated with a  symbol. Screwing through the bottom of the frame into the bottom seat frame. And screwing through the top of the seat frame from the inside in to the posts.

6)



The arbour seat is now complete